

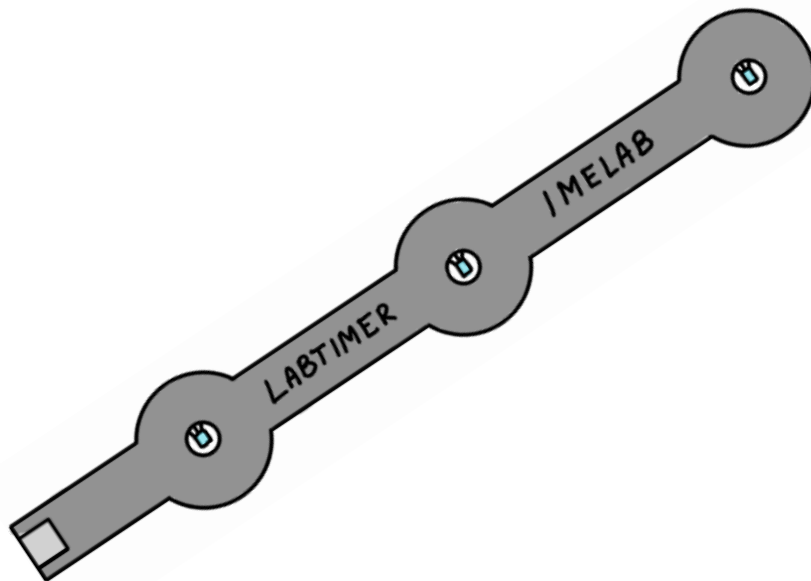
# LABTIMER

Mini 4WD | Read Unit | 3 Lane

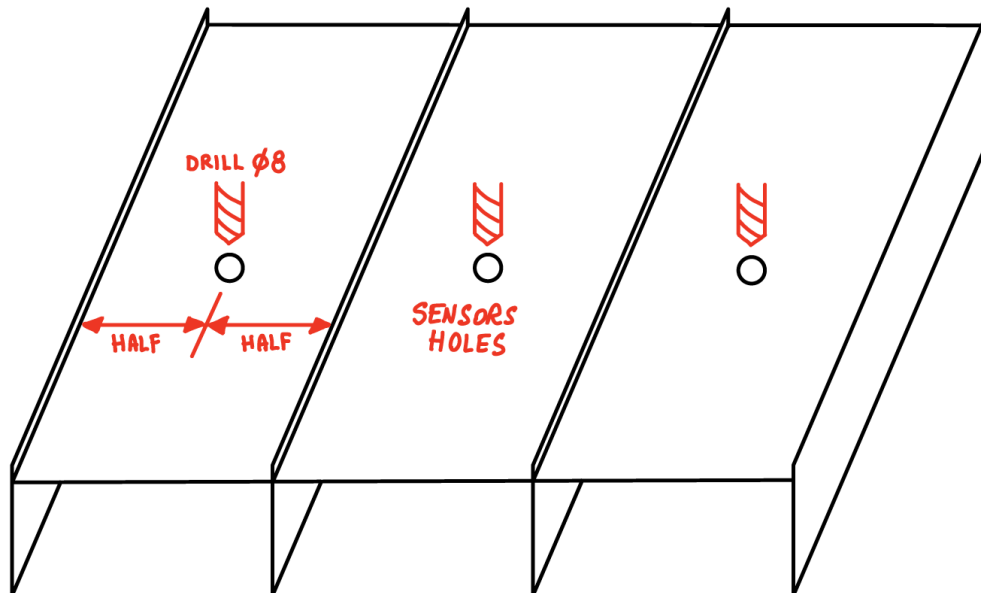
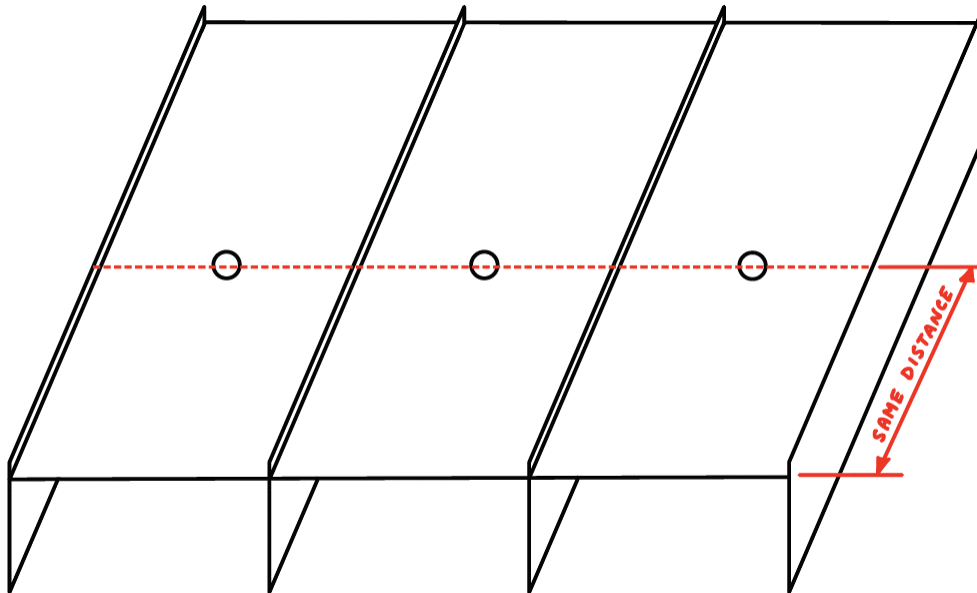
## SENSOR INSTALLATION MANUAL

Powered by

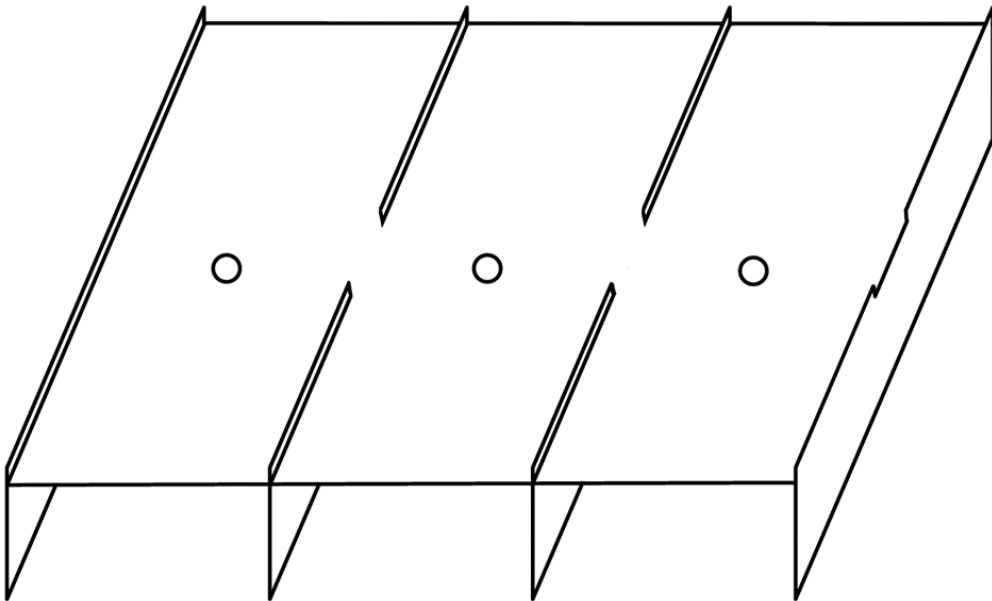
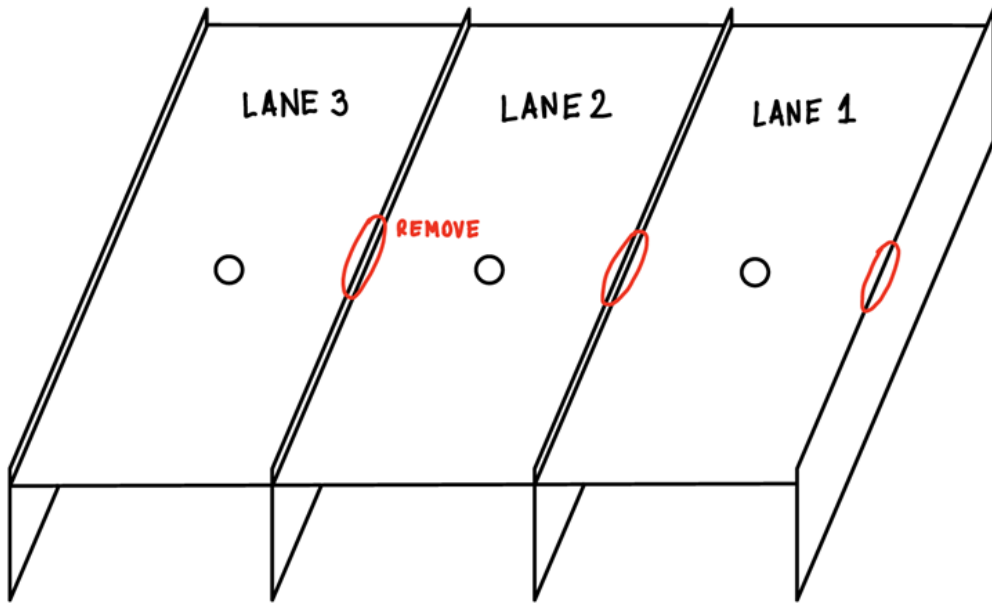
**IMELAB**<sup>TM</sup> Innovation  
Meets  
Experience



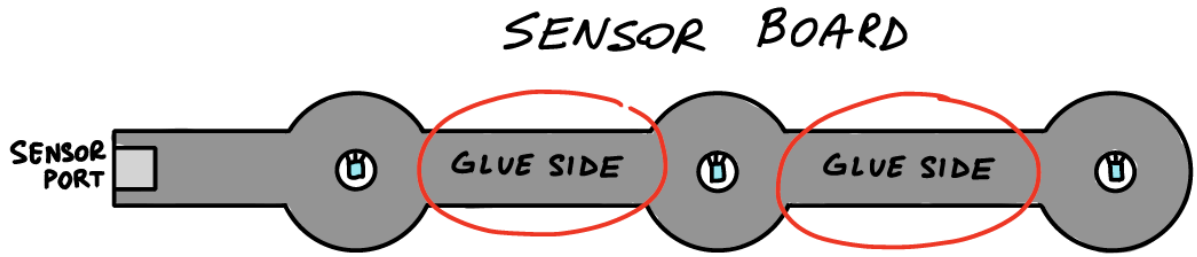
Drill 3 holes in a straight Mini 4WD track section. They should be at the same distance from the edge of the track section, and at the half of each lane. Use the sensor board to check the holes position before drilling them.



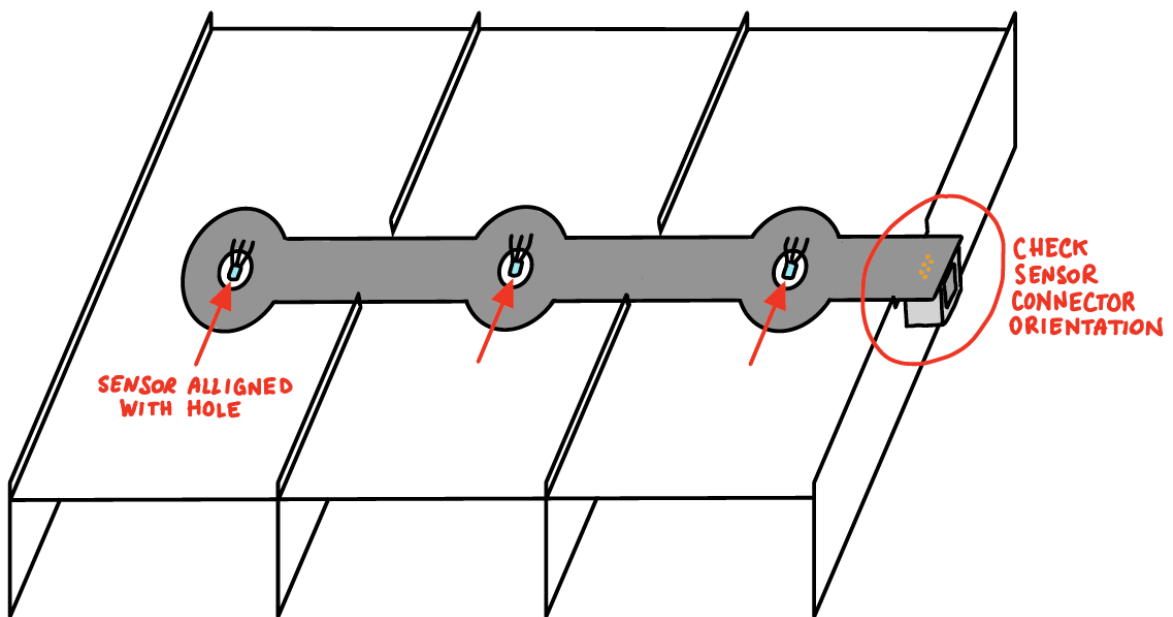
Remove the plastic between the lane on the bottom surface of the track section.



Glue the sensor board to the bottom of the track section.



**APPLY GLUE ON THE SIDE MARKED AS "GLUE SIDE"**



The result should look like this.

